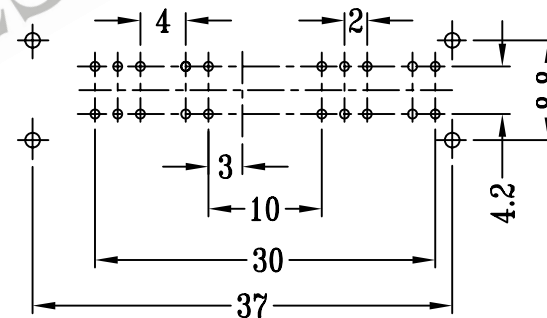
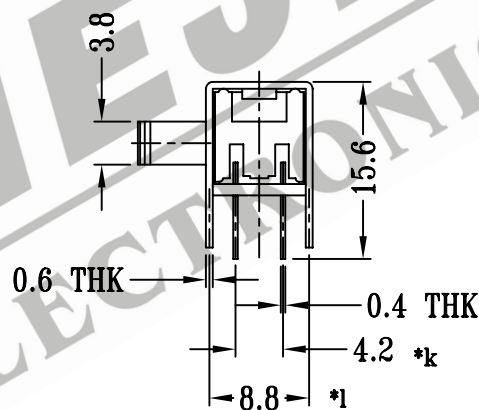
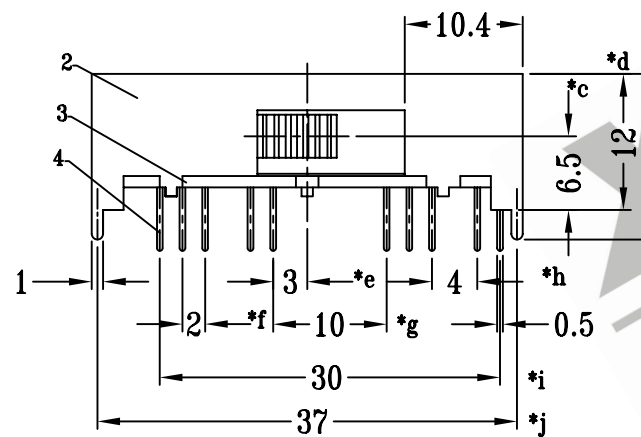
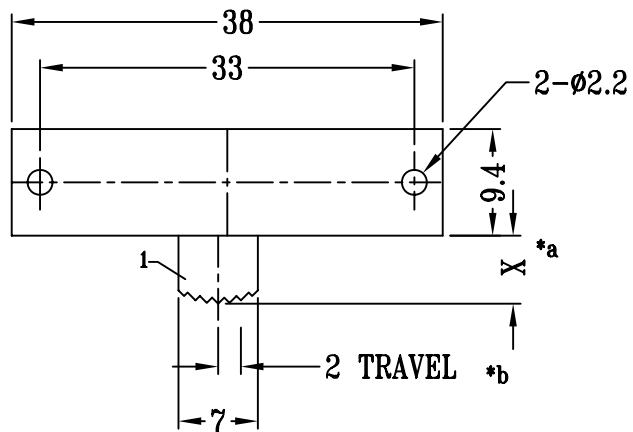


CAD FILE:



SCHEMATIC (SHORTING)

P.C.B LAYOUT

注：“*”表示关键尺寸（12个）

NO.	PARTS	MATERIALS	Q'TY	FINISH	TOLERANCE UNLESS SPECIFIED	SHENZHEN XIEJIA ELECTRONICS CO.,LTD.				
8						TITLE : HORIZONTAL SLIDE SWITCH MODEL: SK-44D01				
7	CONTACT CLIP	PBS STRIP	4	Ag PLATED	WITHIN: 1.5±0.1mm OVER : 1.5±0.2mm					ISSUE
6	SPRING	STEEL WIRE	1	TEMPER		UNIT : mm	SCALE: 3:2	DRWG NO.: XJ-DR-SK44D01-00		
5	STEEL BALL	STEEL	1	NATURAL				DWN.	ZHOUYU	2003-9-6
4	TERMINAL	BRASS STRIP	20	Ag PLATED OVER Ni PLATED				CHK'D	FANGYING	2003-9-6
3	BASE	PHENOLIC RESIN	1	NATURAL				APPD.	KANGXINAN	2003-9-6
2	FRAME	STEEL STRIP	1	Ni PLATED						
1	KNOB	POM	1	BLACK						
ALL MATERIALS MUST BE COMPLIANT TO ROHS										